

TERMOSTATO DIGITAL

Weekly circulation digital programming thermostat with LCD screen, which has 6-event everyday. Manual mode and programme mode could be selected. The thermostat is recommended for control of electric heating devices or on/off valve actuator used in hydronic floor heating.

Selection Table:

Model	Current	Application
E51.713	3A	Built-in & floor sensor, floor limit sensor, weekly programming
E51.723	3A	Built-in & floor sensor, floor limit sensor, weekly programming, A potential-free output
E51.716	16A	Built-in & floor sensor, floor limit sensor, weekly programming

Parameter:

- Voltage: 220V/230V
- Power consumption: 2W
- Setting range: 5~95°C (can adjust to 35~95°C)
- External limitation: 5...60°C (factor setting: 35°C)
- Switch differential: 0.5~10°C adjustable
factory setting: ± 1°C
- Ambient temperature: -5~50°C
- Protective housing: IP20
- Housing material: anti-flammable PC

User operation:

- 1) "⏻" Power on/off.
- 2) At clock-controlled programme mode, press "▲" or "▼" enter temporary control.
- 3) UP "▲", DOWN "▼" to adjust the temperature
- 4) Press menu "☰" & UP "▲" for 5 seconds, then enter clock set, choose modified item by pressing menu "☰", press UP/DOWN "▲▼" to modify the date and clock, then switch off to quit.
- 5) Press menu "☰" to choose manual mode or programme mode,
- 6) set temperature and clock display alternately, room temperature can be read out directly.
- 7) press both "▲" "▼" for five seconds to engage/disengage key-lock function key-lock on shows "🔒" ("🔒" this symbol disappear shows unlock)

Function:

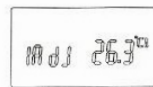
- Manual mode
- Clock-controlled programme mode
- Heating on
- Wake-up, event 1
- Leave(am), event 2
- Return(am), event 3
- Leave(pm), event 4
- Return(pm), event 5
- Sleep, event 6

Programming:

Press Menu key for 5 seconds to start programming

Key	Event	Symbol	Time	Modify	Temp.	Modify
	Day 1-5	1	06: 00	Event time ▲ ▼	20°C	Temperature ▲ ▼
		2	08: 00		15°C	
		3	11: 30		15°C	
		4	12: 30		15°C	
		5	17: 00		22°C	
		6	22: 00		15°C	
	Day 6-7	1	08: 00		22°C	
		2	23: 00		15°C	

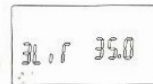
Advanced setting (qualified person preferred):
Usually finished at mounting thermostat.
Press key simultaneously pressing power on key
When in power off state.



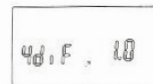
1ADJ: Temperature calibration
Press ▲ or ▼ key to adjust present checked value
Adjustable scale: ±9.9°C
Re-press menu key to enter to next step.



2SEN: Sensor mode
Press ▲ or ▼ key to choose sensor
IN: built-in, OUT: floor sensor, ALL: both
Sensors, floor sensor is the limit sensor
Re-press menu key to enter to next step.



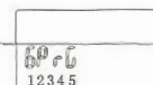
3LIT: Modify limitation value
Press ▲ or ▼ key to modify the temp. Limit value
Limitation range: 5~60°C
Re-press menu key to enter to next step.



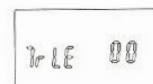
4DIF: switch differential setting
Press ▲ or ▼ key to change switch differential
Setting range: 0.5~10°C.
Re-press menu key to enter to next step.



5LTP: Start anti-frozen function in power off
Press ▲ or ▼ key to change the current anti-frozen function
Re-press menu key to enter to next step.



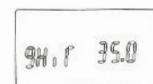
6PRG: set day off mode
Press ▲ or ▼ to choose day off
5/2 day mode, 6/1 day mode,
7 day mode and quit
Re-press menu key to enter to next step.



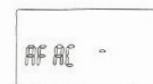
7RLE: Potential-free output and main power output in same/different way.
Press ▲ or ▼ key to change the current linkage state.
00: in same way, 01: in different way.
02: in Primary and secondary reverse.
03: in Main and auxiliary reverse, do not turn off and antifreeze, to stop output.
Re-press menu key to enter to next step.



8DLY: Delay time of potential-free output
Press ▲ or ▼ key to change linkage delay time
Range: 0-5min.
Re-press menu key to enter to next step.



9HIT: Max. Temperature setting
Press ▲ or ▼ key to change the Max. value
Range: 35-90°C
Re-press menu key to enter to next step.

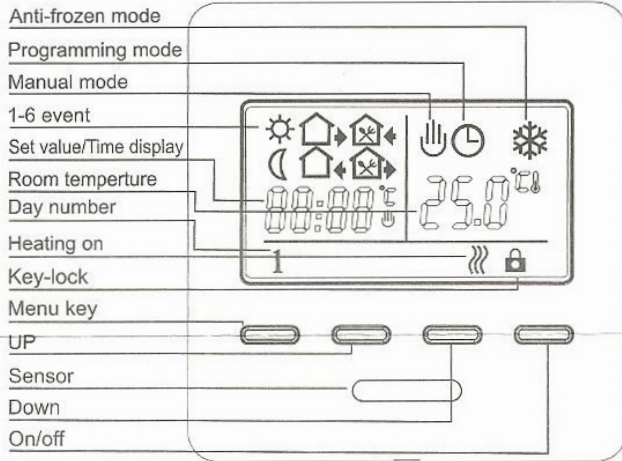


AFAC: Reset to factory setting
Press ▲ key for 5 seconds till showing ---
Reset to factory setting
Switch off for saving

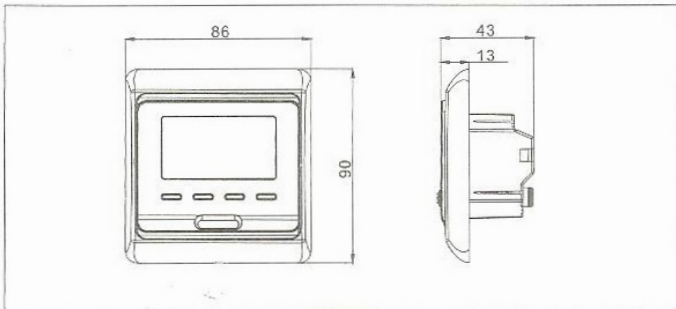
Sensor Failure

E0: Built-in sensor short-circuited or disconnected.
E1: External sensor short-circuited or disconnected.
When shows E0/E1 error, thermostat must be checked till the error is eliminated

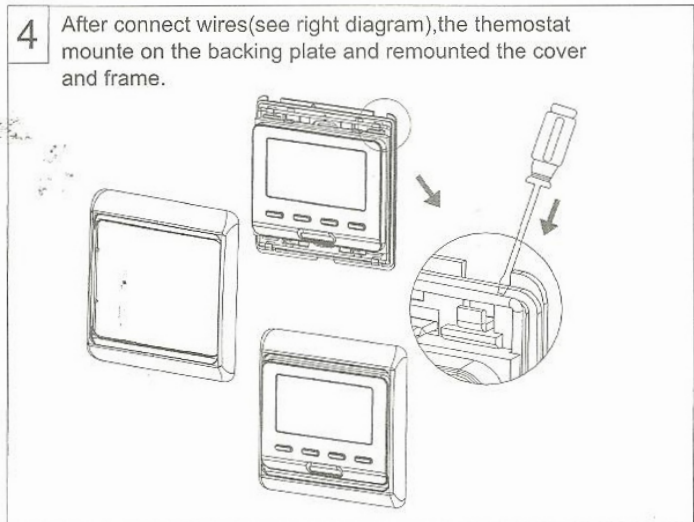
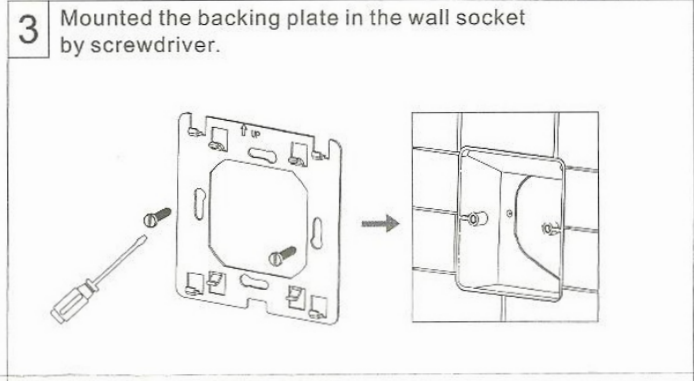
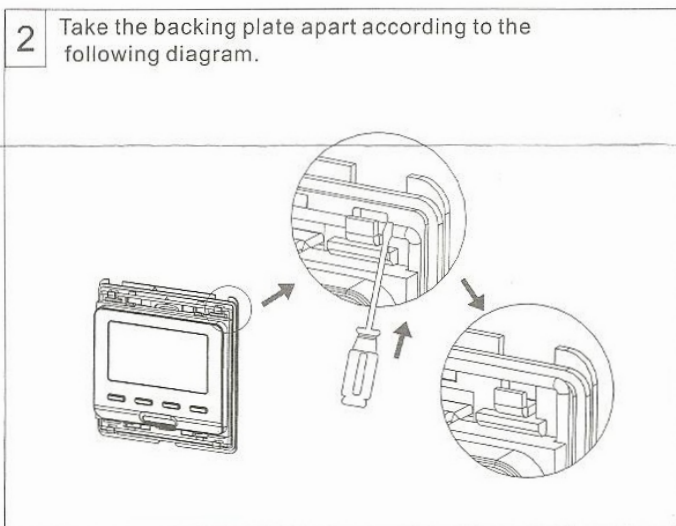
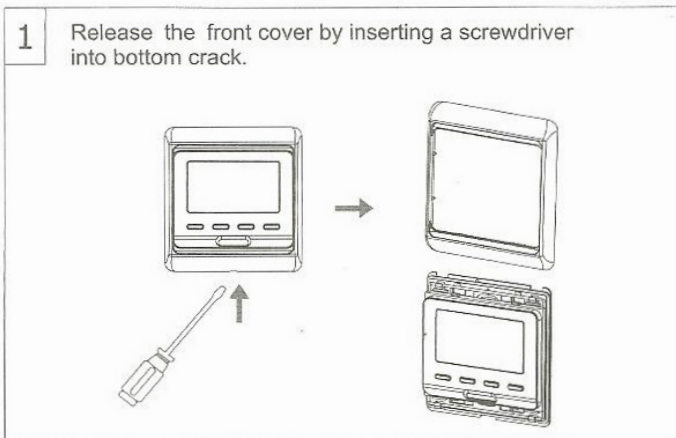
Display symbols



Dimension:mm



Mounting steps:



Connecting Diagram

Attention:

The thermostat which connect the electric heating device is apply to full load(3200W) heating cable in 2500m height above sea level,and the rated power of external load should be less than or equal to 80%rated power thermostat when in the 2500m to 4200m height.

