

# TERMOSTATO TOUCH SCREEN

# E91... Touch Screen Programming Thermostat

Weekly circulation digital programming thermostat with LCD touch screen, which has 6-event everyday. Manual mode and programme mode could be selected. The thermostat is recommended for control of electric heating devices or on/off valve actuator used in hydronic floor heating.

## Selection Table:

Model	Current	Application
E91.713	3A	Built-in&floor sensor,floor limit sensor weekly programme
E91.723	3A	Built-in&floor sensor,floor limit sensor weekly programme,a potential-free output
E91.716	16A	Built-in&floor sensor,floor limit sensor weekly programme

## Parameter:

Voltage:220V/230V

Power consumption:2W

Setting range:5~90°C (can adjust to 35-90°C)

Limitation setting:5...60°C  
(Factory setting:35°C)

Switch differential:0.5-10°C adjustable  
factory setting1°C

Ambient temperature:-5~50°C

Protective housing:IP20

Housing material: anti-flammable PC

## User operation:

- 1) On/Off." ⏻ "
- 2) At clock-controlled programme mode,press" ▲ "or" ▼ " enter to temporary control.
- 3) UP" ▲ ",DOWN" ▼ "to adjust the temperature value.
- 4) Press clock "⌚"key for 5 seconds,then enter to clock set, choose modified item by pressing clock" ⌚ ",press UP/DOWN" ▲ ▼ "to modify the date and clock,then switch off to quit.
- 5) Press menu" ☰ "to choose manual mode or programme mode.
- 6) Set temperature and clock display alternately,room temperature can be read out directly.
- 7) Press both "▲ "" ▼ "for five seconds to engage/dise-engage key-lock function key-lock shows" 🔒 " (" 🔓 "this symbol disappeared that shows unlock)

## Function:

- Manual mode
- Clock-controlled programme mode
- Heating on
- Wake-up,event 1
- Leave(am),event 2
- Return(am),event 3
- Leave(pm),event 4
- Return(pm),event 5
- Sleep,event 6

## Programming:

Press Menu key for 5 seconds to start programming

Key	Event	Symbol	Time	Modify	Temp.	Modify	
	Day 1-5	1		06: 00	Δ	20°C	Δ
		2		08: 00	▽	15°C	▽
		3		11: 30		15°C	
		4		12: 30	Event Time	15°C	
		5		17: 00		22°C	
		6		22: 00		15°C	
Day 6-7		1		08: 00		22°C	
		2		23: 00		15°C	

Note:

- 1) The pre-programmed setpoint(15°C) for event 3&4 is the same as event 2,please reset it according to your individual requirement.
- 2)Symbol "OFF" will be displayed if the setpoint reaches the minimum set value and the thermostat is switch off in this event.

## Advanced setting(qualified person preferred):

Usually finished at mounting thermostat.

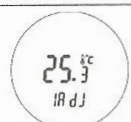
Press ☰ key simultaneously press power on key when in power off.

HVAC CONTROLS PRODUCTS 1-10

2-10

3-10

## INSTRUCTIONS



1ADJ:Temperature calibration  
Press + or - key to adjust present checked value,adjustable scale:9.9°C.  
Re-press menu key to enter to next step.



2SEN:Sensor mode  
Press + or - key to choose sensor working mode  
IN:built-in, OUT: floor sensor,  
ALL:both sensors,floor sensor is the limit sensor  
Re-press menu key to enter to next step.



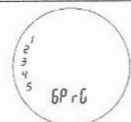
3LIT: Modify limitation value  
Press + or - key to modify the temp.  
Limit value/limitation range:5-60°C  
Re-press menu key to enter to next step.



4DIF:Switch differential setting  
Press + or - key to change switch differential  
Setting range:0.5-10°C.  
Re-press menu key to enter to next step.



5LTP:Start anti-frozen function in power off  
Press + or - key to change the present anti-frozen function  
Re-press menu key to enter to next step.



6PRG:Set day off mode  
Press + or - to choose day off  
5/2 day mode,6/1day mode,7 day mode  
Re-press menu key to enter to next step.



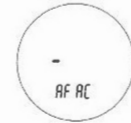
7RLE:Potential-free output and main power output in same/different way.  
Press + or - key to change the present linkage state.  
00:in same way, 01:in different way  
Re-press menu key to enter to next step.



8DLY:Delay time of potential-free output  
Press + or - key to change linkage delay time  
Range:0-5min.  
Re-press menu key to enter to next step.



9HIT:Max. Temperature setting  
Press + or - key to change the Max.value  
Range:35-90°C  
Re-press menu key to enter to next step.



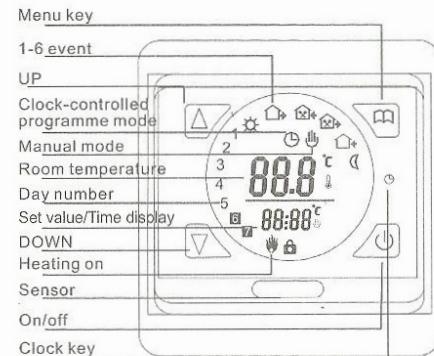
AFAC:Reset to factory setting  
Press + key for 5seconds till showing ---  
Reset to factory setting  
Switch off for saving setting

# E91...Touch Screen Programming Thermostat

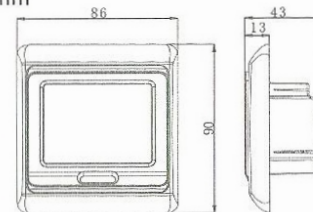
## Sensor Failure

E0: Built-in sensor short-circuited or disconnected.  
 E1: External sensor short-circuited or disconnected.  
 When shows E0/E1 error, thermostat must be checked till the error is eliminated.

## Display symbols

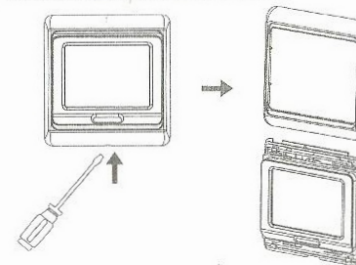


## Dimension: mm



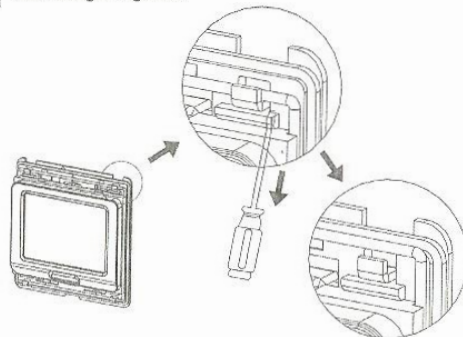
## Mounting steps:

- 1 Release the front cover by inserting a screwdriver into bottom crack.

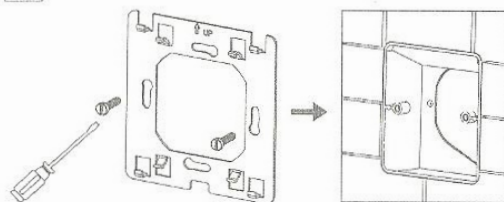


# INSTRUCTIONS

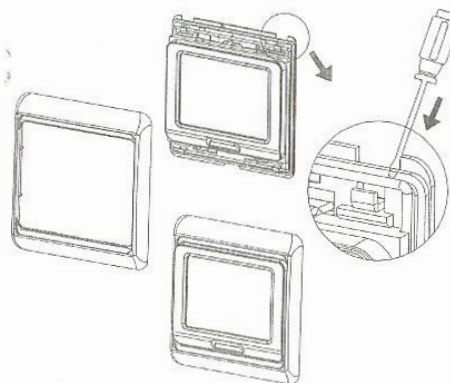
- 2 Take the backing plate apart according to the following diagram.



- 3 Mounted the backing plate in the wall socket by screwdriver.



- 4 After connect wires (see right diagram), the thermostat mounted on the backing plate and remounted the cover and frame.



## Connecting Diagram

### Attention:

The thermostat which connect the electric heating device is apply to full load (3200W) heating cable in 2500m height above sea level, and the rated power of external load should be less than or equal to 80% rated power thermostat when in the 2500m to 4200m height.

